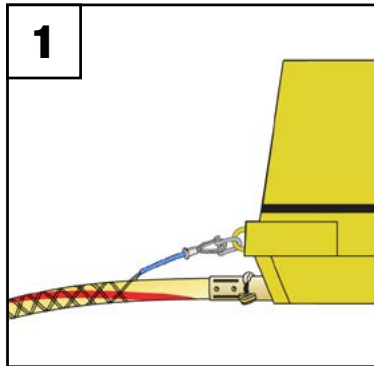
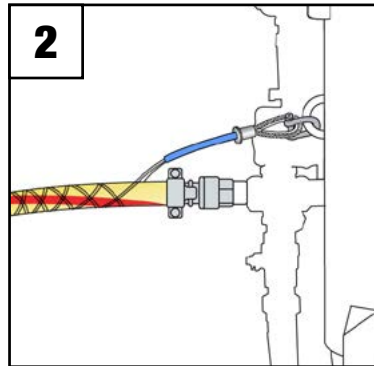


# Where and How should Whipchecks be placed?

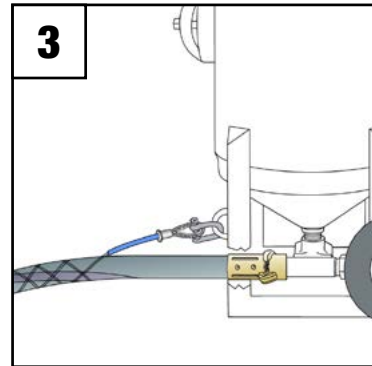
There are 4 minimum locations where whipchecks should be installed:



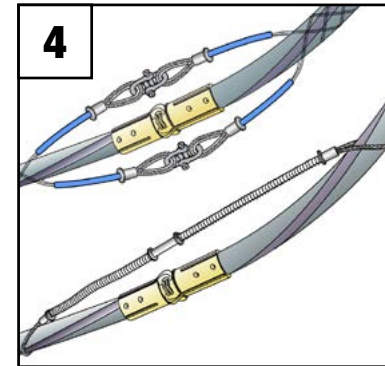
1  
Air Compressor  
to Bull Hose



2  
Inlet to  
Blast Machine



3  
Inlet/Outlet to Blast  
Machine, Air Prep, etc

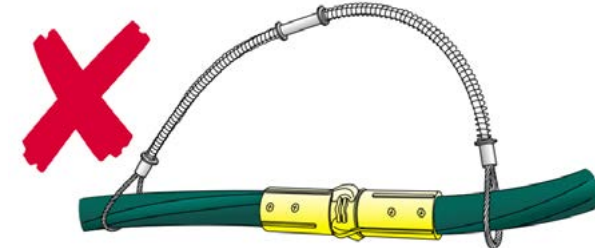


4  
Any Connecting Point along  
the entire length of  
your Blast or Bull hose

It is **CRITICAL** that  
your Whipcheck is  
installed correctly:



The Whipcheck **MUST** be fully extended  
and lay flat along the hose



**NOT** looped or loose as shown here